

# Theory of machine

If you have a smart project, you can say "I'm an engineer"

---

## Project sample

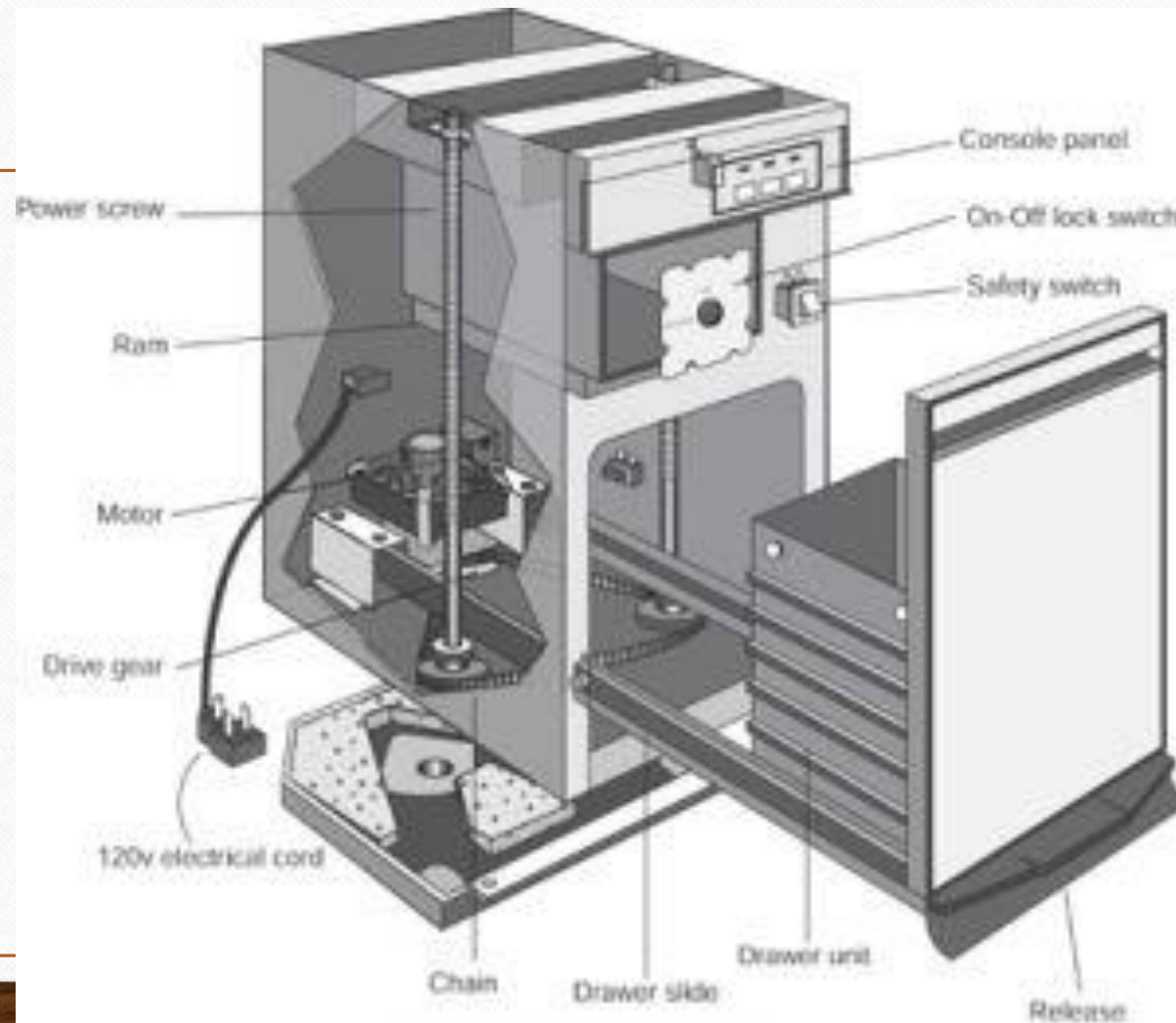
Instructor

Dr. Mostafa Elsayed Abdelmonem

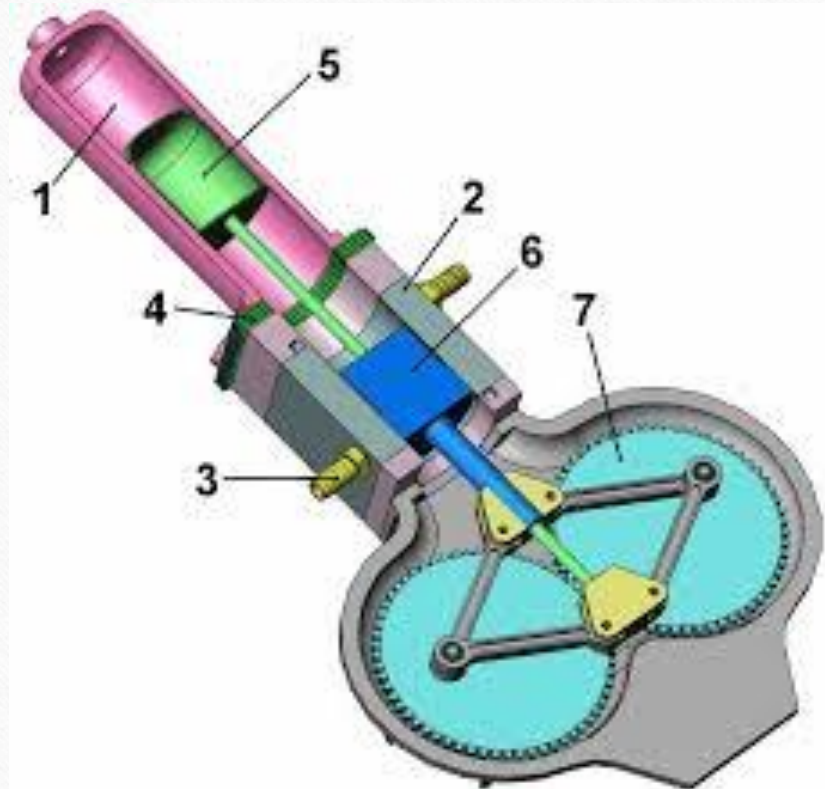
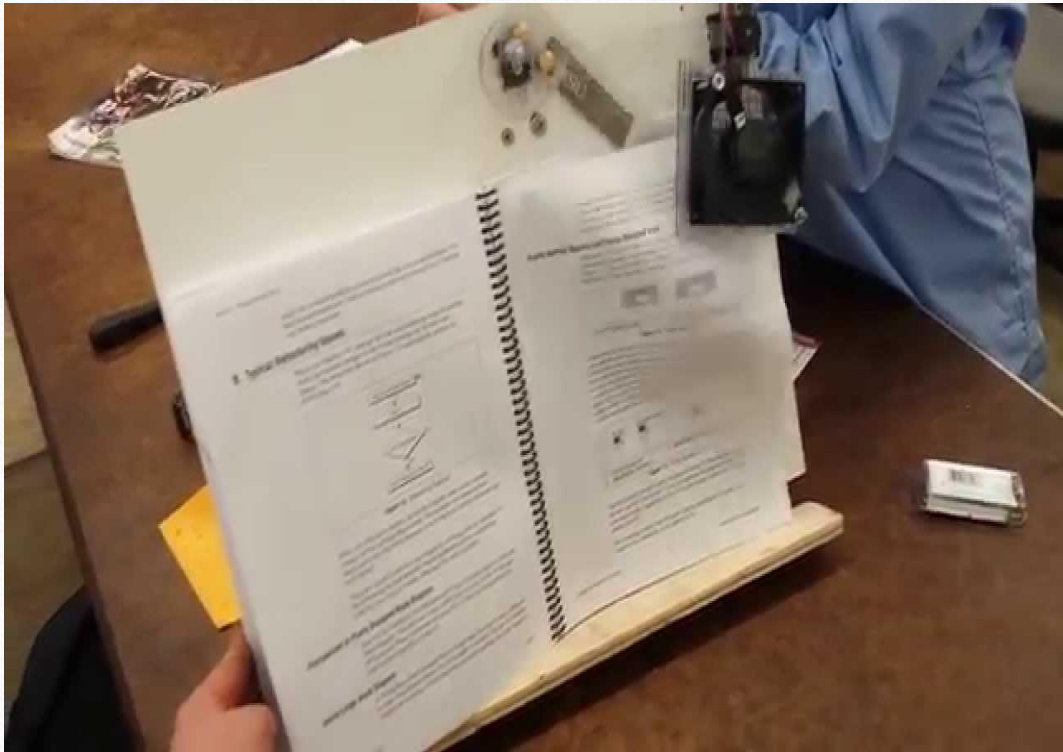
- Tennis ball server,



# •Trash compactor



- Automatic page turner, Radial Compressor



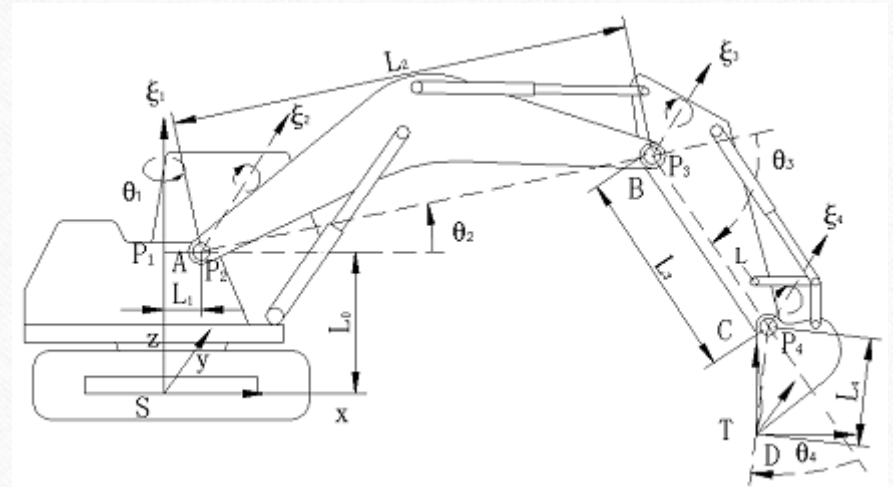
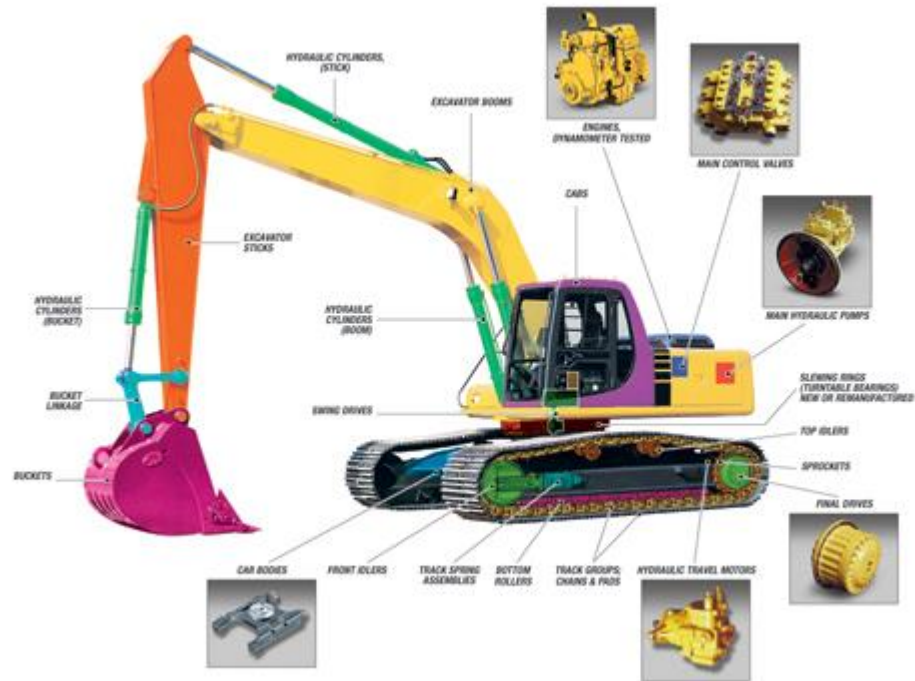
- Rocking chair, Oil crane



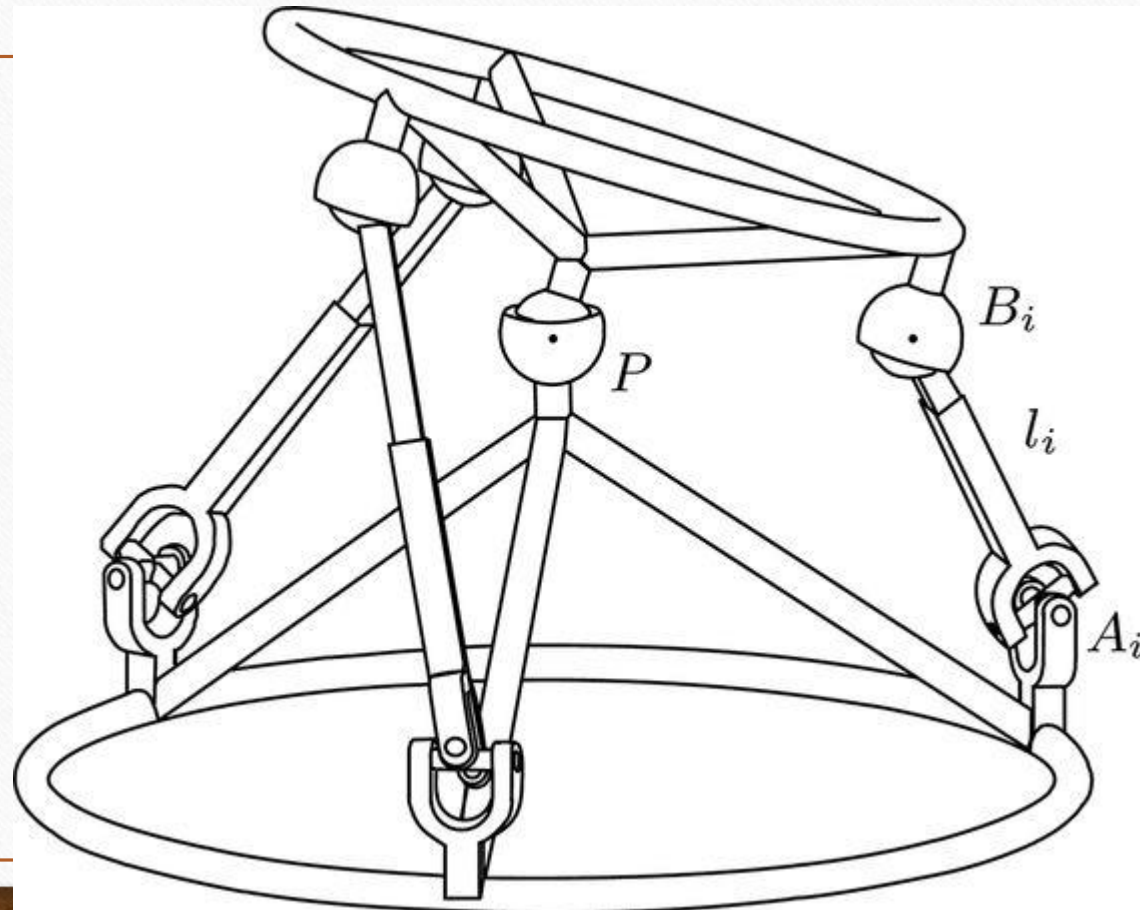
shutterstock

IMAGE ID: 433594318  
www.shutterstock.com

# • Excavator



- Stewart platform, wheel chair lift mechanism



- Exercise machines,



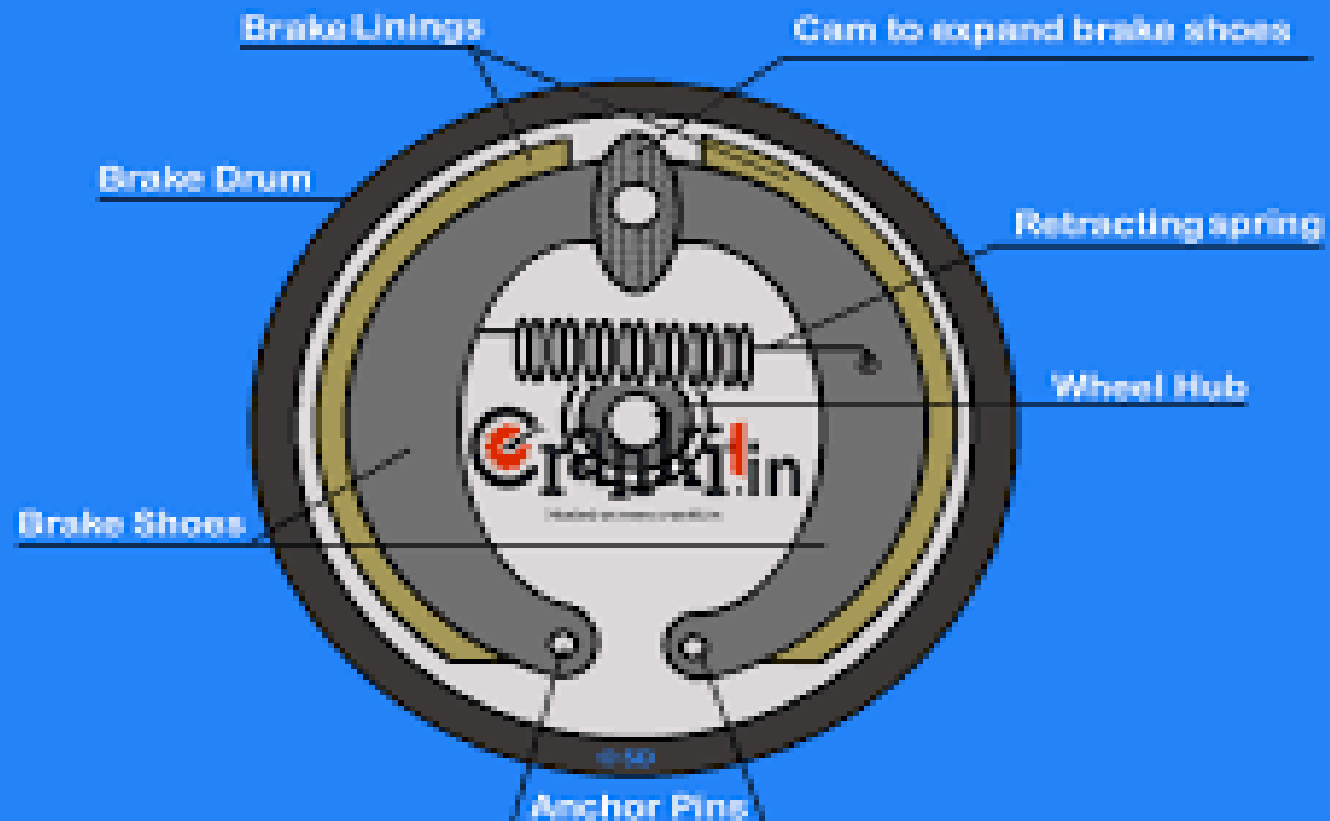


- Baby transport device (stroller)

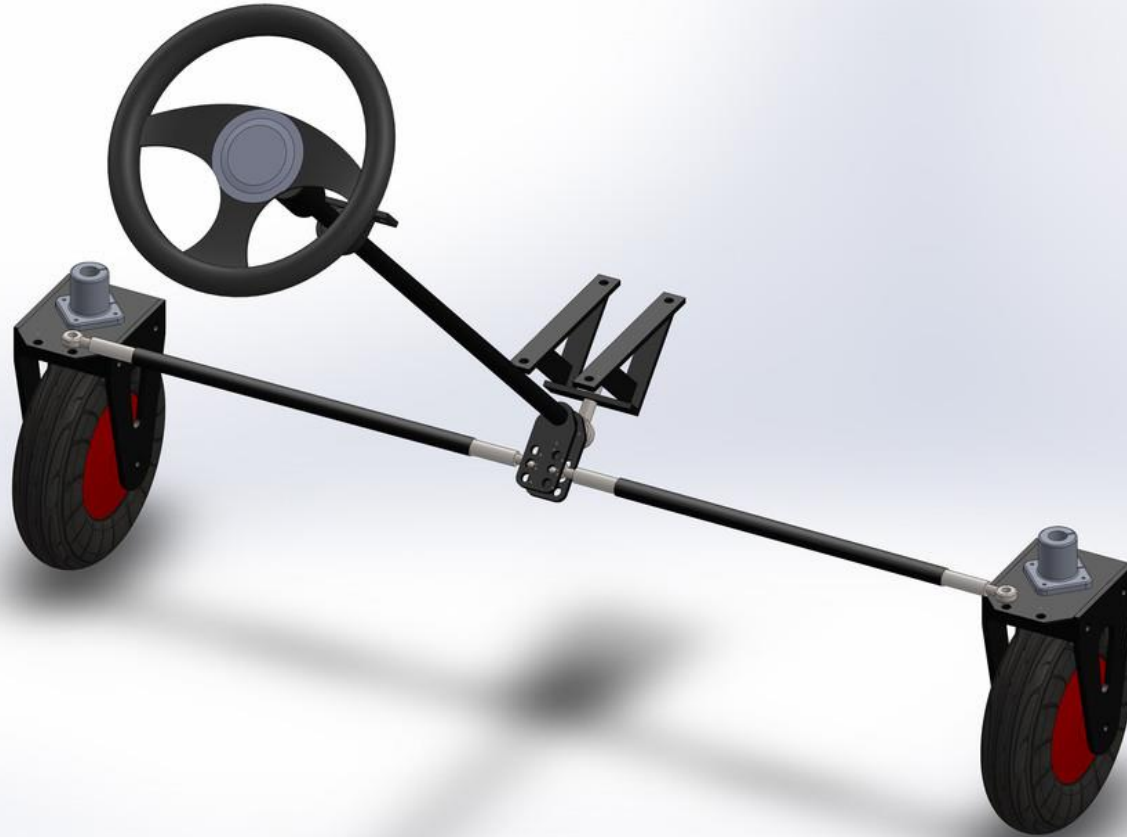


- Brake mechanism (drum)

## Drum Brake (Mechanical)



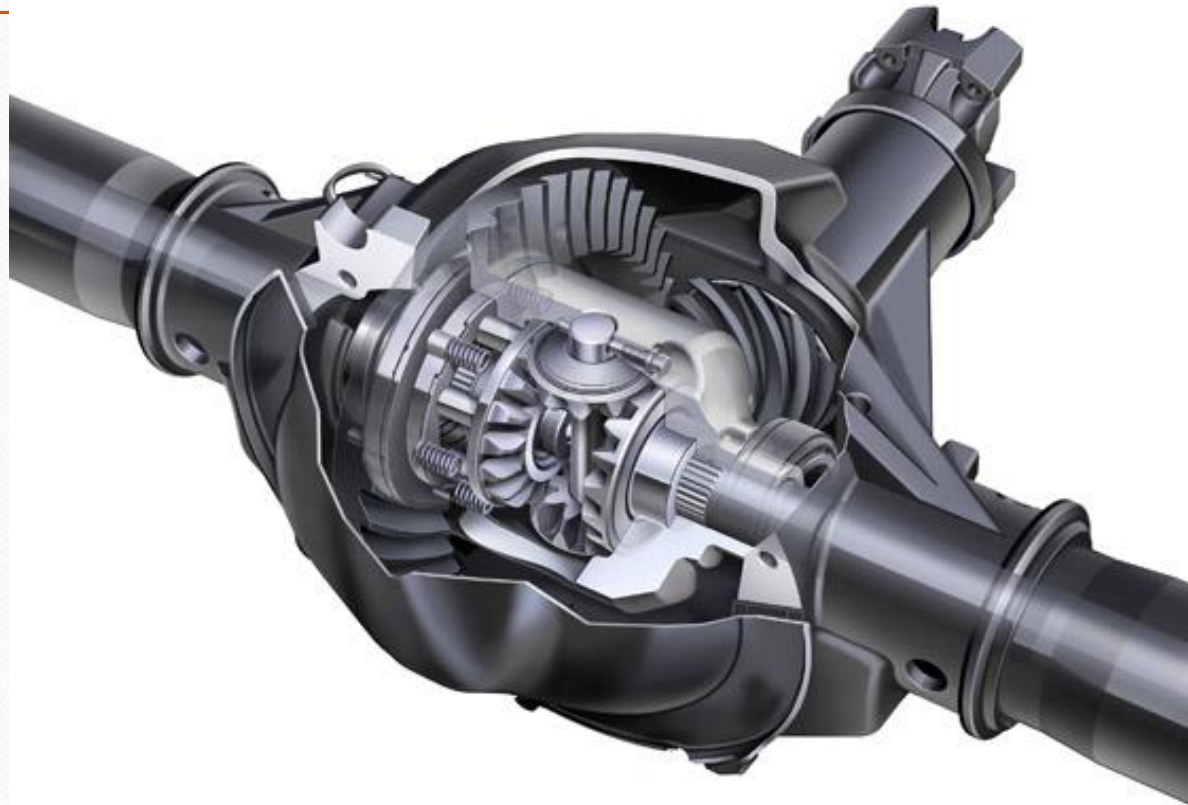
- Steering system models (Ackerman)



- Continuous variable transmission
- 



# Differentials





Thank you